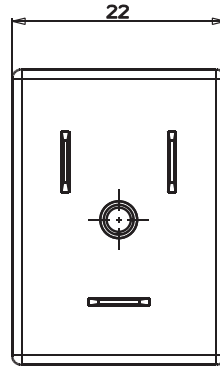
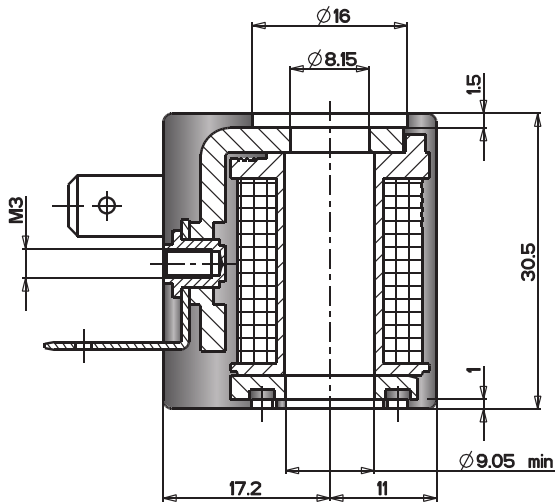


## EVI 7/9 AMP 6,3x0,8 Sealed Version

M3 Torque 0,4+0,6Nm

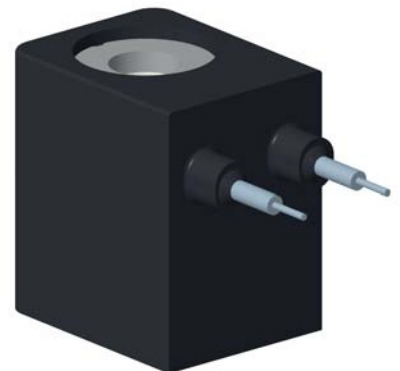
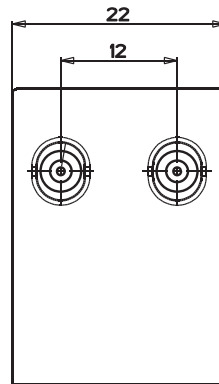
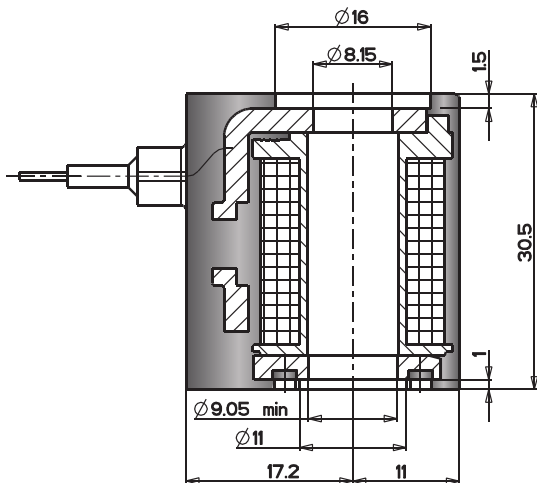
Available also: - EPOXY encapsulation - UL class H



## EVI 7/9 Flying Leads Sealed Version

500mm flying leads as a standard, PVC 105°C Ø 2.25

Available also: - UL class H ... Leads AWG 18, UL Style 10126



## EVI 7/9 M12 LED Epoxy

